



# TECHNICAL TIP ZEN #45

## DIFFERENCES BETWEEN STARTER DRIVES ZEN 0482 AND 0919

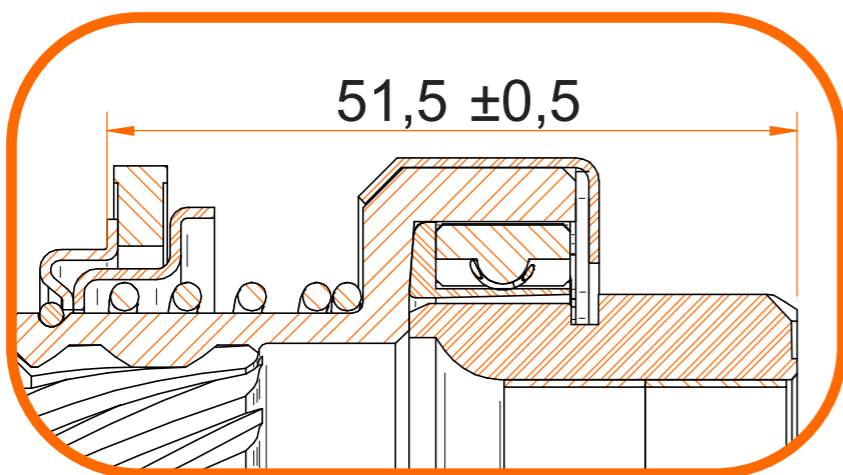
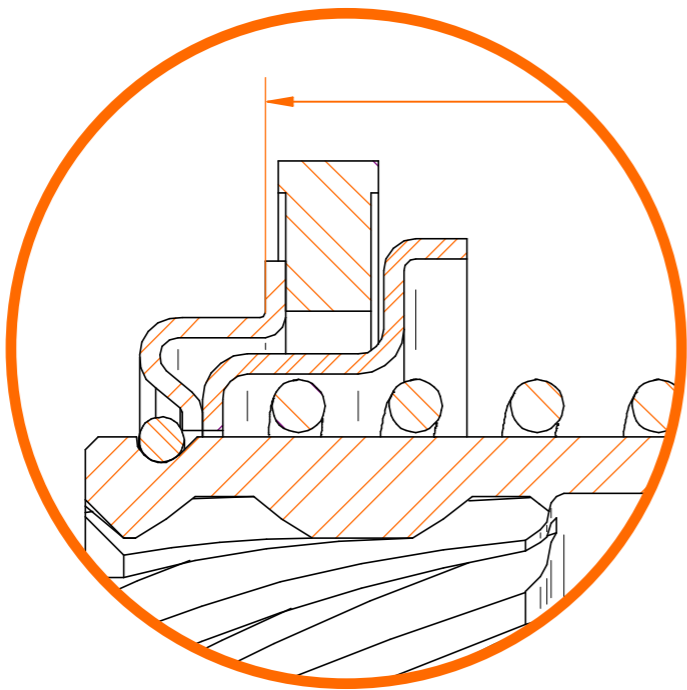


The starter drives below are similar in dimensions, but there is a difference in the lever position.

0482



DETAILS



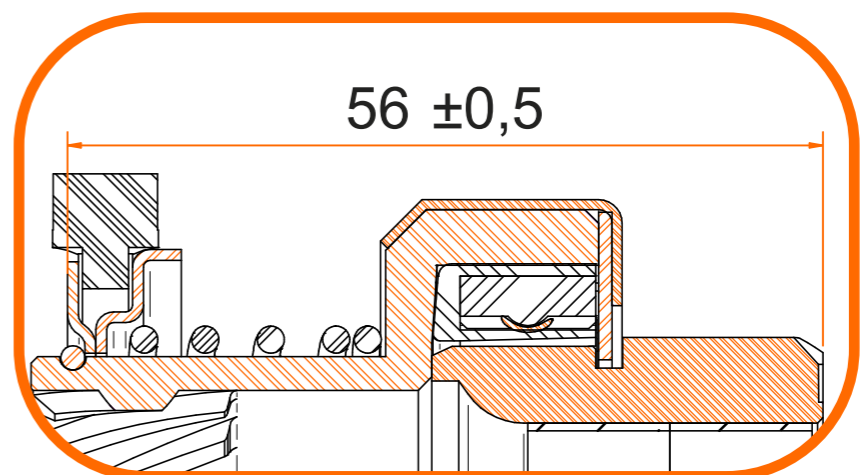
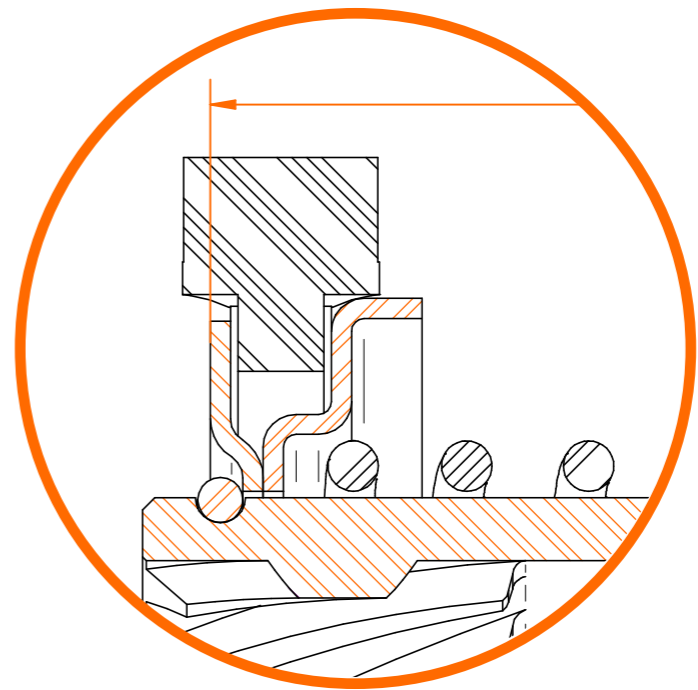
### Dimensions

Nº of teeth (T)	9
Pinion O.D. (G)	25.8
Full length (L)	58.5
Nº spline (SPL)	10
Ø bushing (ID)	12
Ø external (D)	46.3
Direction of rotation (CW)	Horário
Family (FAM)	100

0919



DETAILS



### Dimensions

Nº of teeth (T)	9
Pinion O.D. (G)	25.8
Full length (L)	58.5
Nº spline (SPL)	10
Ø bushing (ID)	12
Ø external (D)	46.5
Direction of rotation (CW)	Horário
Family (FAM)	84

• These starter drives are not interchangeable, because the lever cannot be properly mounted on the fiber ring.