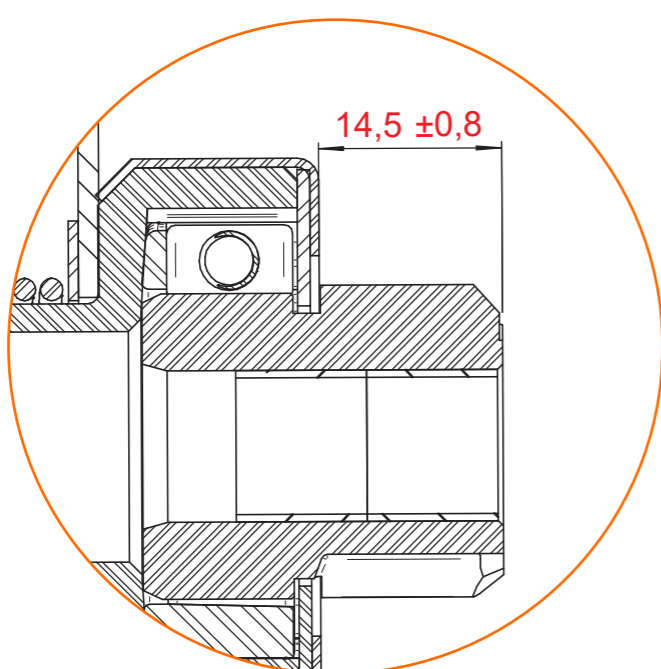




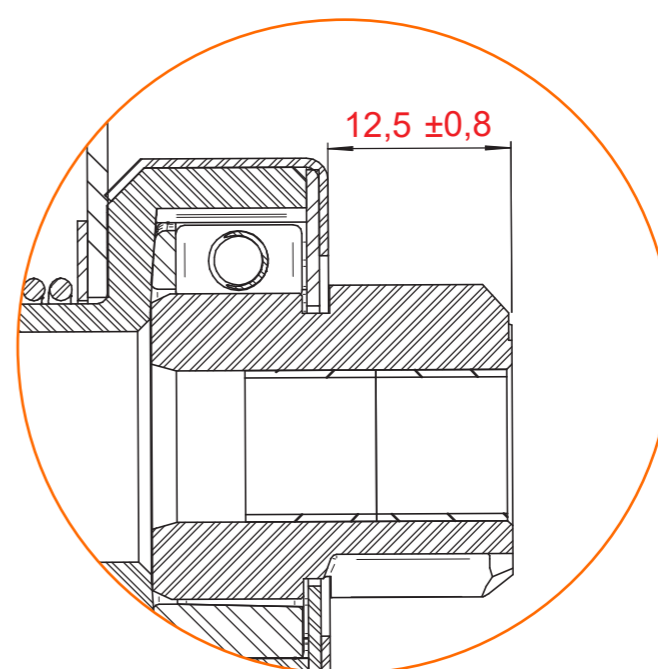
The part numbers 0294 and 0328 are almost identical, however the height of the gear is different, as shown in the image below.

0294



- If the 0294 is applied in the place of 0328 there will be no problem.

0328



- If the 0328 is applied in the place of the 0294 it may cause damage to the starter drive and/or the vehicle's flywheel



When in doubt apply the 0294.

