



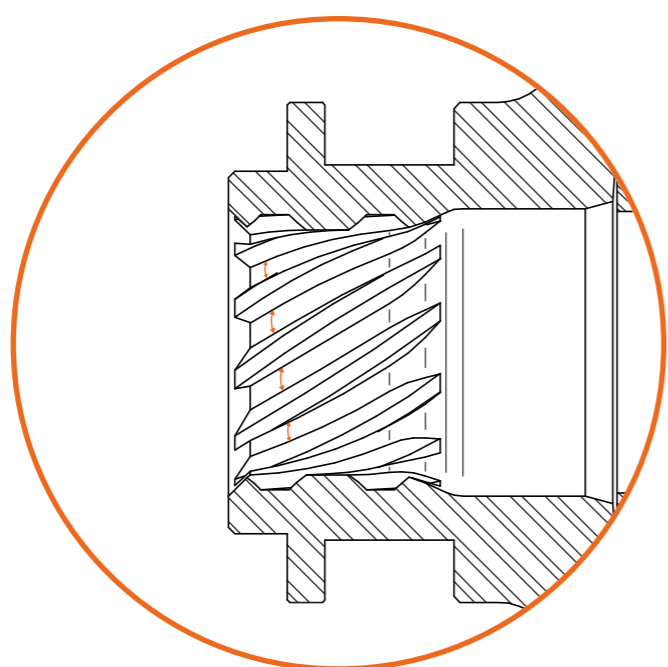
ZEN TECHNICAL TIP ZEN #32

## DIFFERENCE BETWEEN ZEN STARTER DRIVES 0150 AND 0155



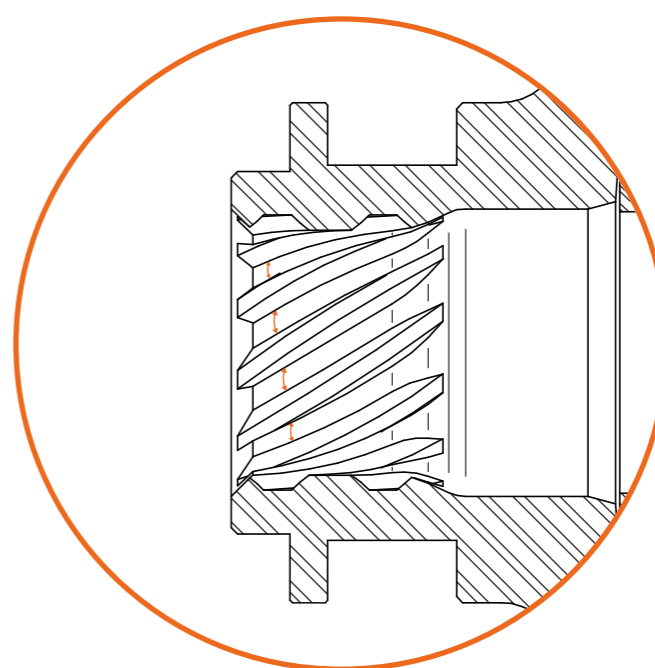
The starter drives 0150 and 0155 are similar, but one detail makes all the difference. The lead (or angle) of the grooves are different and if the incorrect starter drive is applied it will not mount on the starter.

0150



193,2 mm

0155



101,3 mm

