



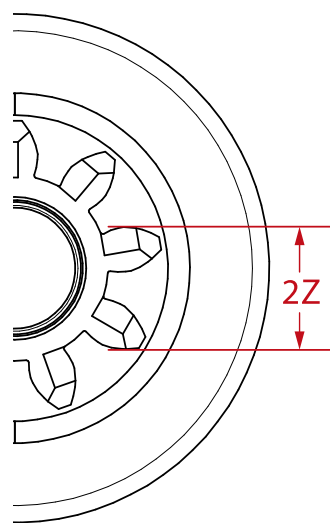
TECHNICAL TIP ZEN #59

DIFFERENCES BETWEEN STARTER DRIVES ZEN 0367 AND 0648



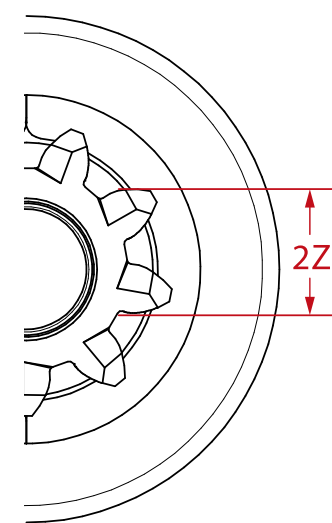
Starter drives ZEN 0367 and 0648 have similar physical characteristics and sizes, but are not interchangeable. The main difference is in the dimension 2Z (between 2 teeth), as shown in the figure below. Incorrect application may damage the starter drive, flywheel and the components of the starter.

0367



14.39 mm

0648



14.65 mm

Dimensões

Nº Of Teeth (T)	9
Pinion O.D (G)	34.8
Full Length (L)	91
Nº Spline (SPL)	10
Ø Bushing (ID)	14.3
Ø External (D)	60
Direction Of Rotation (CW)	Horário
Family(FAM)	15

Dimensões

Nº Of Teeth (T)	9
Pinion O.D (G)	34.8
Full Length (L)	91
Nº Spline (SPL)	10
Ø Bushing (ID)	14.26
Ø External (D)	60
Direction Of Rotation (CW)	Horário
Family(FAM)	15