



TECHNICAL TIP ZEN #63

CLUTCH PULLEYS WITH TOYOTA APPLICATION

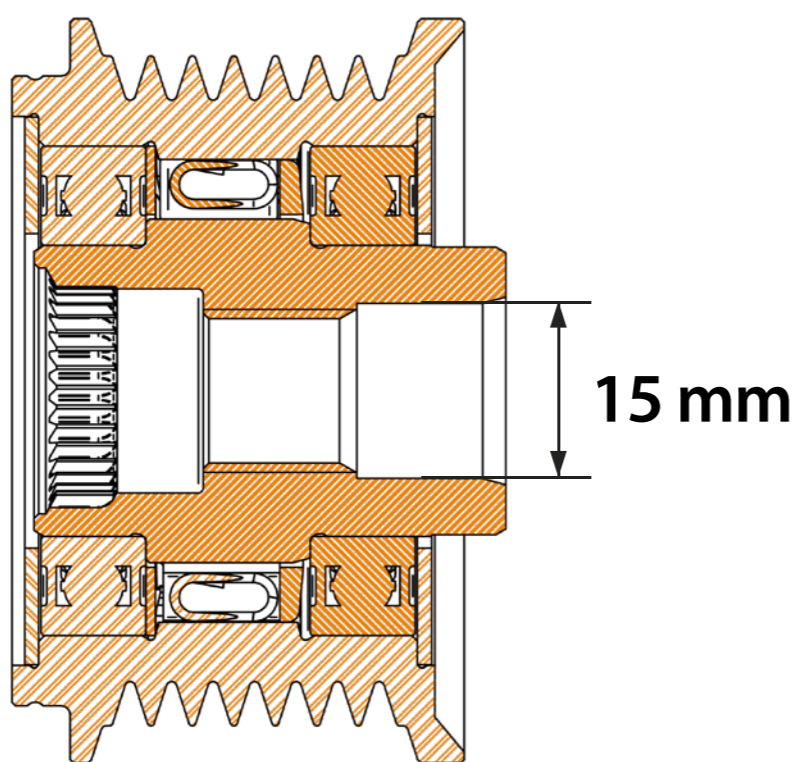


On the market there are Denso alternators for Toyota applications (mainly Hilux) with an identical code but with different rotor shafts. In these cases, to identify which clutch pulley to use, the diameter of the rotor shaft must be measured.

5567



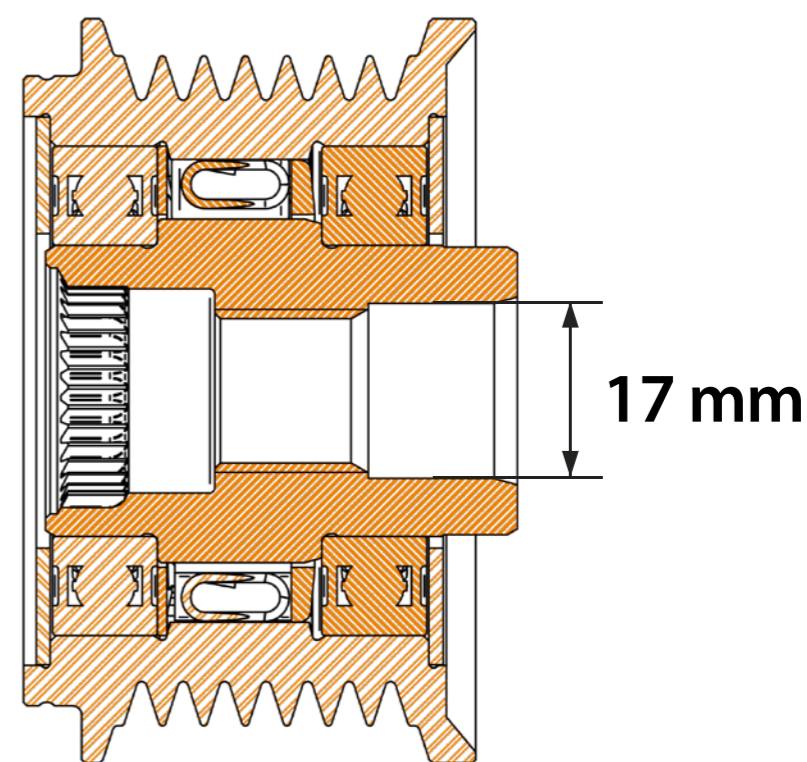
To use the ZEN 5567 pulley, the rotor diameter needs to be approximately 15 mm.



5609



To use the ZEN 5609 pulley, the rotor diameter needs to be approximately 17mm.



Be aware that the alternators on the market listed below will indicate the application of both pulleys. So, before purchasing, make sure of the rotor shaft diameter and consult the ZEN catalog.

Toyota: 270600L110, 270600L120, 270600L130, 270600L140, 270600L160, 270600L190, 270600L200, 270600L210, 270600L220, 270600L260, 270600L270, 270600L280, 270600L290, 2706030030, 2706030040, 2706030050, 2706030070, 2706030120, 2706030121, 2706030123, 2706030130, 2706030140, 2706030150, 2706030151, 2706030152, 2706030154, 2706030160.